

## Anchorage Devices Rails - Horizontal/Overhead

### Rail-Horizontal

Stop device for horizontal use. With connecting piece, without lock and without rectangular perforation. Max. attachment distance 1.000 mm. Max. manufactured length: 4.000 mm. Authorised for simultaneous use by 3 persons. When mounting adhere to the anchoring forces as specified in DIN EN 795.

#### Anodized aluminium

Rail profile: 52 x 33 mm  
 Weight: 1,3 kg/per metre  
**Part No. FS-WAL-<length in mm>**

#### Galvanized steel

Rail profile: 50 x 32 mm  
 Weight: 3,7 kg/per metre  
**Part No. FS-WST-<length in mm>**

#### Stainless steel, pickled

Rail profile: 50 x 32 mm  
 Weight: 3,7 kg/per metre  
**Part No. FS-WA4-<length in mm>**

Surcharge for factory assembly rectangular perforation - distance 1000 mm.

**Part No. 15820**

**Extra cost for bending rail section made of aluminium, galvanized steel / stainless steel.** Please specify type of bend. See page D 5.

#### Anodized aluminium

**Part No. 16586**

#### Galvanized steel

**Part No. 16588**

#### Stainless steel, pickled

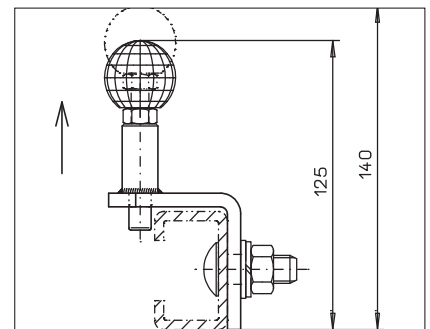
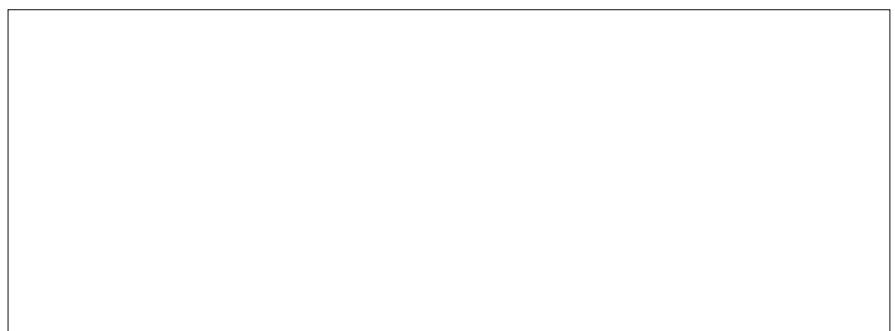
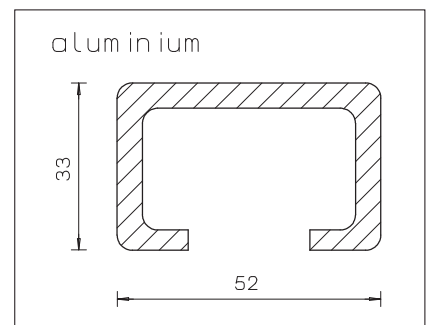
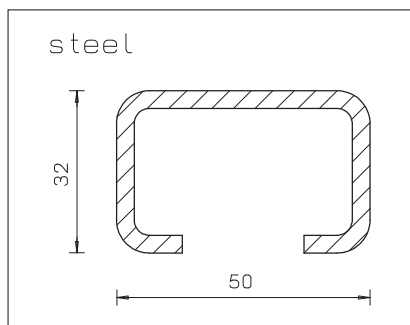
**Part No. 16587**

### End-Stop

End-Stop with exit for use in connection with horizontal rails. Prevents the Trolley/Glideloc fall arrester from accidentally slipping out of the rail.

#### Stainless steel, pickled

Weight: 0,3 kg/ each  
**Part No. 16571**



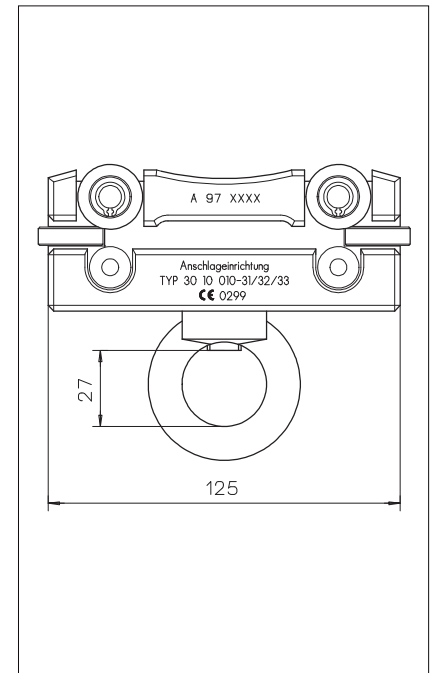
## Anchorage Devices Trolleys

### Trolley

**Only for horizontal rail. Not for vertical use!** Anodized aluminium body with stainless steel eye-bolt.

Weight: 0,6 kg/each

**Part No. 15620**



### Joint plate for horizontal application

Weight: 0,9 kg/each

**Galvanized steel**

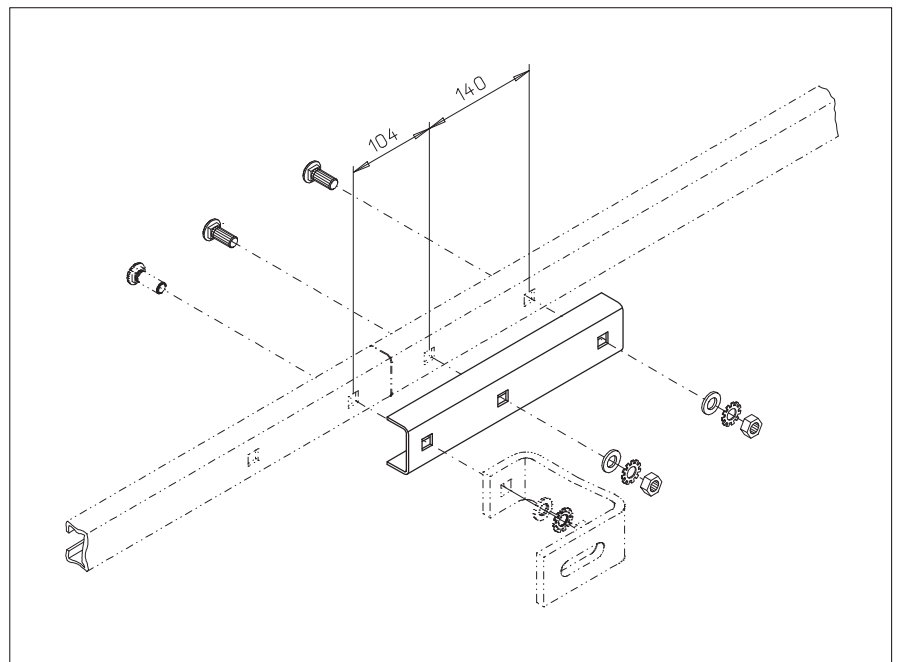
**Part No. 17372**

**Stainless steel, pickled**

**Part No. 17988**

**Aluminium anodized**

**Part No. 17055**



## Anchorage Devices Mounting Brackets

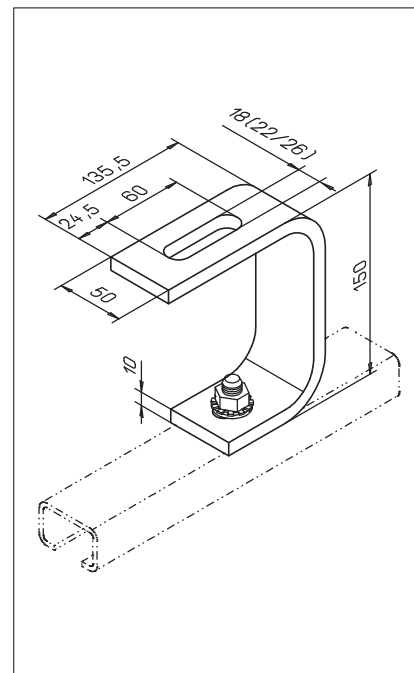
### Mounting bracket

Comes with installation elements for fixing rail to bracket. Wall attachment must be drilled to suit site conditions. Minimum bolt diameter for wall fixing: M 16. Support structure must be checked for sufficient strength. Custom made projections upon request.

Weight: 1,3 kg/each

**Galvanized steel**  
**Part No. 11048**

**Stainless steel, pickled**  
**Part No. 14759**

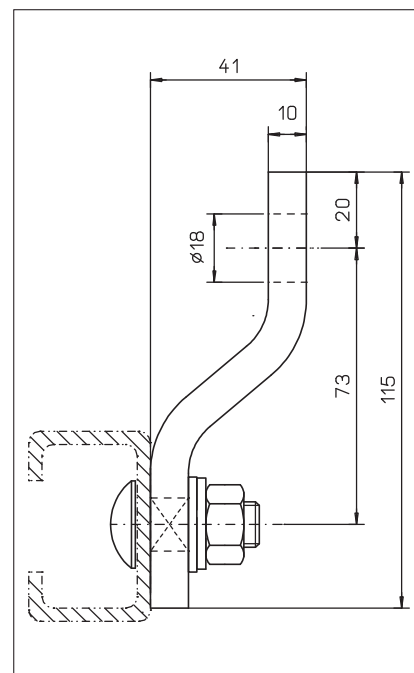


### Bracket

For fastening rails onto a structure. Comes with installation elements for fixing rail to bracket. Support structure must be checked for sufficient strength.

**Galvanized steel**  
 Weight: 0.6 kg each  
**Part No. 11102**

**Stainless steel, pickled**  
 Weight: 0.6 kg each  
**Part No. 16838**



## Anchorage Devices Exit Device

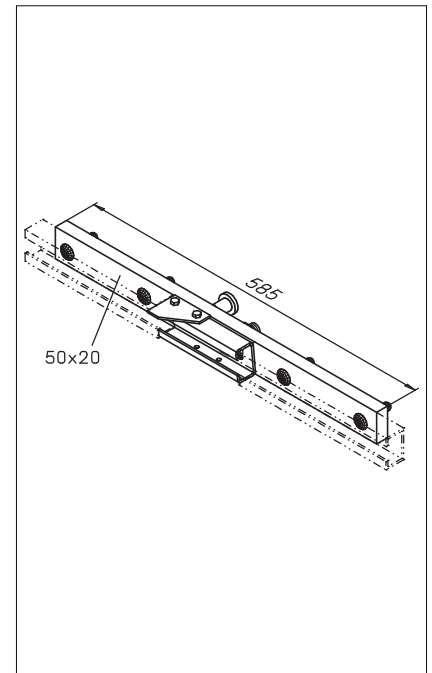
### Exit Device

To be fixed within an horizontal guided rail.  
 For the safe insertion and removal of the fall  
 arrester. It is **not possible** to use it in  
 connection with the horizontal trolley, order  
 Number: 15620. The delivery comprehends  
 a single-serving fit-up aid.

Weight: 5,5 kg/each

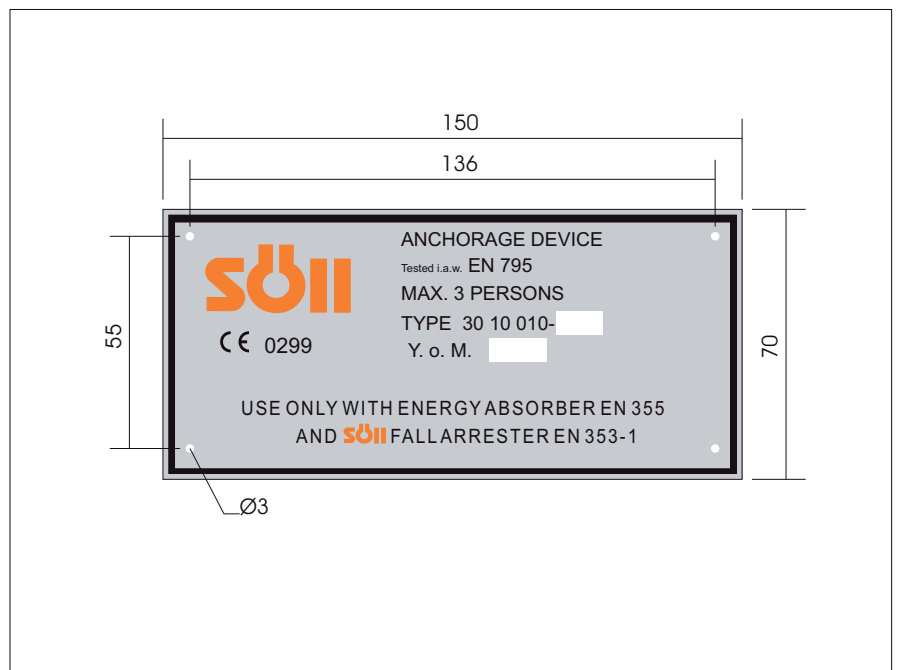
**Galvanized steel**  
**Part No. 22168**

**Stainless steel, pickled**  
**upon request**



**Identification plate**  
 for anchorage device - chapter D.

**Part No. 19875**



## Smallest radii for Rails-Horizontal/Overhead made of aluminium, galvanized/stainless steel, shown in mm:

Part No.	Page	Article	Minimum radius in mm	
			R.O.	R.I.
		Rails, not incorporating a turntable		
FS-WAL	D 1	Anodized aluminium	570	620
FS-WST	D 1	Galvanized steel	570	620
FS-WA4	D 1	Stainless steel, pickled	570	620
		Rails, incorporating a turntable	800	850

### Important information for planning:

**For rails, horizontal/overhead**

**RO** = Outer Radius.

**RI** = Inner Radius.

